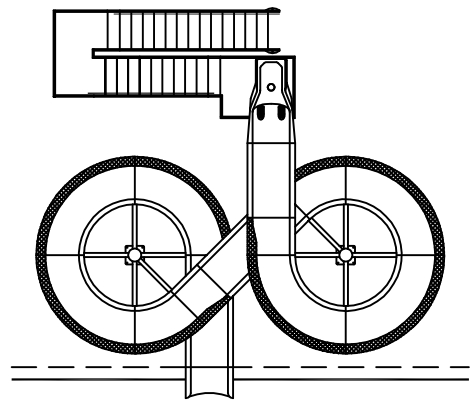


RECOMMENDED MINIMUM  
 POOL AREA RESERVED FOR  
 SLIDE OPERATION IS  
 10'W x 20'L WITH MINIMUM  
 WATER DEPTH OF 36".

MODEL # AAF-122R3

MODEL # AAF-122L3



PRELIMINARY LAYOUT – FOR REVIEW AND APPROVAL ONLY.  
 SPECIFICATIONS SUBJECT TO CHANGE

NOT FOR CONSTRUCTION

**BASE SPECIFICATIONS**

RIDE LENGTH	122.18'
CENTERLINE LENGTH	105.70'
TOWER HEIGHT	15.16'
LANDING HEIGHT	8.58'
SLOPE	14.38%
OPEN FLUME WIDTH	36.00"
CENTERLINE RADIUS	72.00"
STAIRWAY WIDTH	36.00"
STAIRWAY CONFIG	7/11
DESIGNED WATER FLOW	800 GPM
PUMP MOTOR	10 HP

CONFIDENTIAL – PROPERTY OF USA SLIDE, INC

**USA SLIDE**

USA SLIDE, INC  
 1180 AIRPORT PARKWAY  
 GAINESVILLE, GEORGIA  
 30501 USA

PHONE: 770 297 1551  
 1 800 872 7543  
 FAX: 770 297 9633  
 www.usaslide.com

**AQUA ADRENALINE SERIES**

MODEL	AAF-122	DRAWN BY	RLP	DWG. DATE	OCT 13, 2010
DWG SCALE	1/8" = 1'-0"	REVISION	1	DWG. #	AAF122X