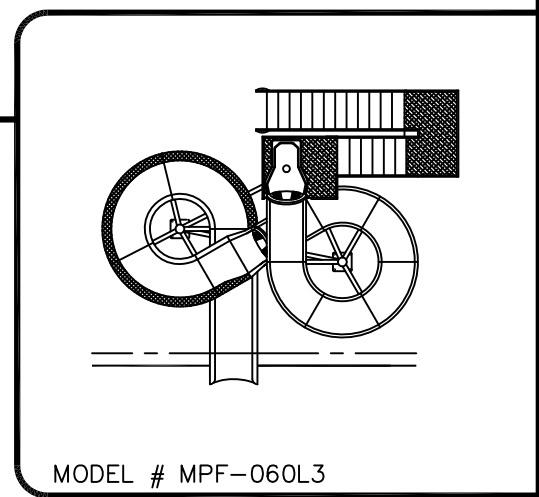


MODEL # MPF-060R3

BASE SPECIFICATIONS

Ride Length	94.11'
*Tube Length	45.62'
*Open Length	48.49'
Centerline Length	79.33'
Tower Height	11'-8"
Landing Height	7'-7"
Slope	14.85%
Flume Width - Tube	32.00"
Flume Width - Open	36.00"
CL Radius - Tube	54.00"
CL Radius - Open	52.00"
Stairway Width	36.00"
Stairway Config	7/11
Designed Water Flow	800 GPM
Pump Motor	10 HP



PRELIMINARY LAYOUT - FOR REVIEW AND APPROVAL ONLY.
SPECIFICATIONS SUBJECT TO CHANGE.
NOT FOR CONSTRUCTION

CONFIDENTIAL - PROPERTY OF USA SLIDE, INC

MODEL MPU-095 - 36" w STAIRWAY

USA SLIDE

USA SLIDE, INC
1180 AIRPORT PARKWAY
GAINESVILLE, GEORGIA
30501 USA

PHONE: 770 297 1551
1 800 872 7543
FAX: 770 297 9633
www.usaslide.com

MODEL MPU-095X3	DRAWN BY RLP	DWG. DATE Oct. 18, 2010
DWG SCALE 1/8" = 1'-0"	REVISION 0	DWG. NO. MPU-095X3