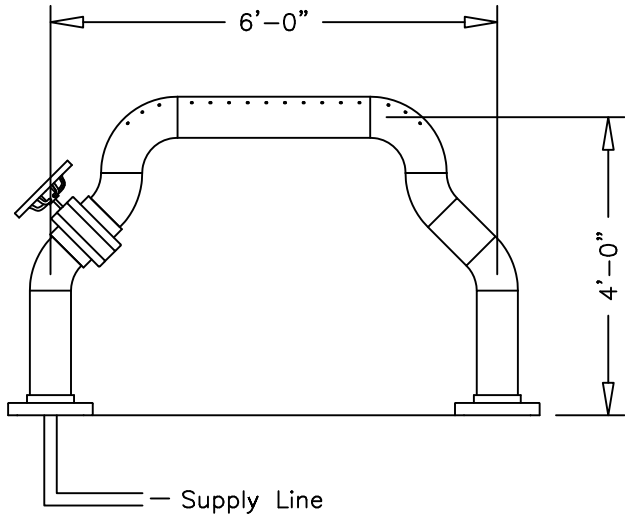
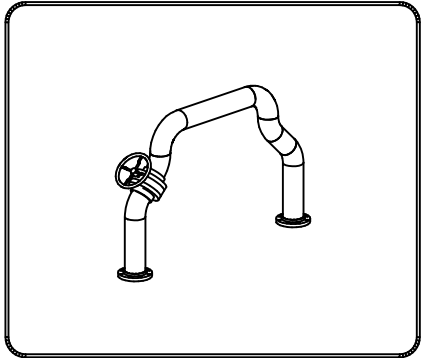
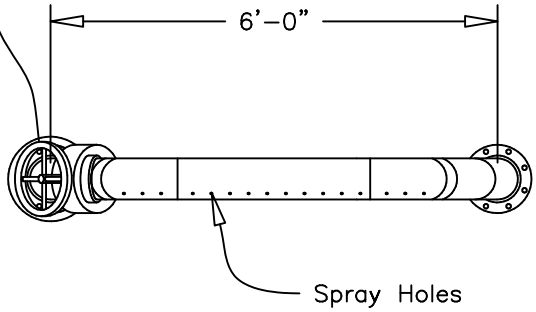


Butterfly Valve  
(Optional)



Ligua-Hitch

FEATURES

DESCRIPTION	SUPPLY LINE	GPM
Ligua-Hitch	2"	90-120

PRELIMINARY LAYOUT - FOR REVIEW AND APPROVAL ONLY.  
NOT FOR CONSTRUCTION

**USA SLIDE**

USA SLIDE, INC  
1180 AIRPORT PARKWAY  
GAINESVILLE, GEORGIA  
30501 USA

PHONE: 770 297 1551  
1 800 872 7543  
FAX: 770 297 9633  
www.usaslide.com

CONFIDENTIAL - PROPERTY OF USA SLIDE, INC

Liquatics Play Products

MODEL USAS-LHTH	DRAWN BY RLP	DWG. DATE Jan, 01, 2008
DWG SCALE 3/8" = 1'-0"	REVISION 0	DWG. # USASLHTH