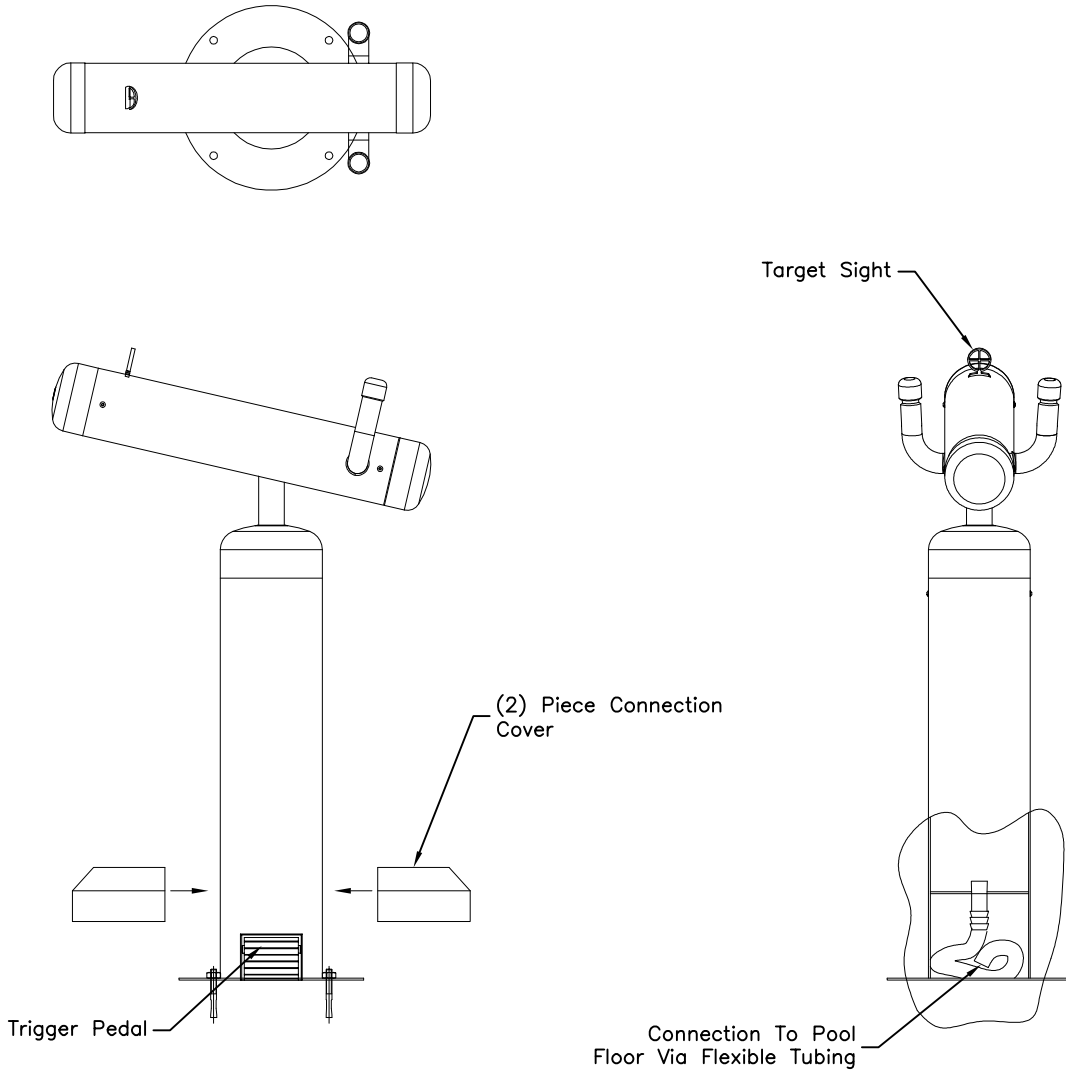


Note: Launchers Anchored To Pool Floor, Must Have Fiberglass Boot To Cover Anchors.



Liqua-Launcher

FEATURES

DESCRIPTION	SUPPLY LINE	GPM
Liqua-Launcher	1"	6 @ 55 PSI

INSTALLATION/OPERATION INSTRUCTIONS  
SHEET 1 OF 2

CONFIDENTIAL – PROPERTY OF USA SLIDE, INC

INSTALLATION DIAGRAM/INSTRUCTIONS

MODEL USAS-LLCH	DRAWN BY JJH	DWG. DATE Jan, 01, 2008
DWG SCALE DO NOT SCALE	REVISION 2	DWG. # USASLLCH-A01

**USA SLIDE**

USA SLIDE, INC  
1180 AIRPORT PARKWAY  
GAINESVILLE, GEORGIA  
30501 USA

PHONE: 770 297 1551  
1 800 872 7543  
FAX: 770 297 9633  
www.usaslide.com